

Software-Defined Industrial Integration Platform

Xentara

The missing link in production - February 13, 2023

SILICON VALLEY OFFICE
Cupertino, CA
sales.amer@xentara.io

EUROPE OFFICE
Munich Metropolitan Area, DE
sales@xentara.io

ASIA OFFICE
Shanghai, CN
sales.apac@xentara.io



**NEXT
GENERATION
IoT**

COMMUNITY EVENTS

Marking the evolution from cloud to edge

Evolving manufacturing in Europe: the role of edge computing

Thursday, 16th February 2023 - 10:00 – 12:00 CET - Online



ngiot.eu

Next Generation IoT real-time Edge computing platform Xentara
by robert.schachner@xentara.io

SILICON VALLEY OFFICE
Cupertino, CA
sales.amer@xentara.io

EUROPE OFFICE
Munich Metropolitan Area, DE
sales@xentara.io

ASIA OFFICE
Shanghai, CN
sales.apac@xentara.io

recent public recognition

- Munich Business Plan Competition 2021 by **BayStartUP**:
 - Phase I: selected among **10 winners** (out of 138 participants)
 - Phase II: **3rd place** (out of 100 participants)



October 2022
 Winner of EIT Manufacturing Boost UP
 Funded by EU Horizon 2020



- “**Five IIoT start-up to watch in 2021**” by startus.com (out of 858 start-ups analyzed)
- **Founders interview** in leading German business newspaper (Wirtschaftwoche Digital)
- Selected in **Plug&Play Global Cohort** summer 2021



Evolving Manufacturing in Europe....



Manufacturing is a main focus for IoT solutions...



For us..

Machines and the support of machine vendor is as important than manufacturing

- IoT-ready machines bring a lot of advantages for both machine vendor and Production
- IoT-ready machines are easy to integrate into different Manufacturing structures

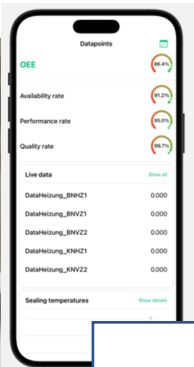
IoT ready machines



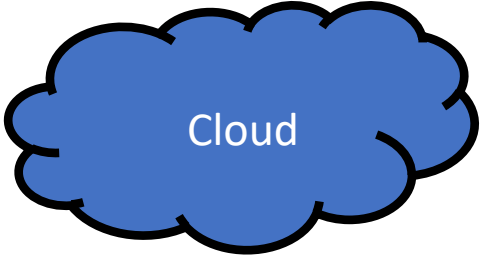
... have a lot of advantages:

- They can be integrated very easy in heterogenous manufacturing architectures (Brownfield loses this terror).
- It is very effective to deliver such new machines into production lines or to upgrade already existing systems
- The machine vendor becomes a partner of the production companies
- They get more money for their machines
- The machine vendor learns about their machines in a manufacturing environment

Edge-based technology is the key for this development!



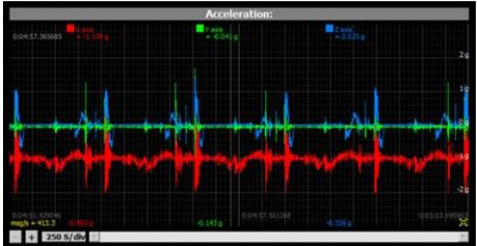
Smartphone
APPS
AR
VR



OPC UA
Industry 4.0
Standards

influxdb
Database

V
Test

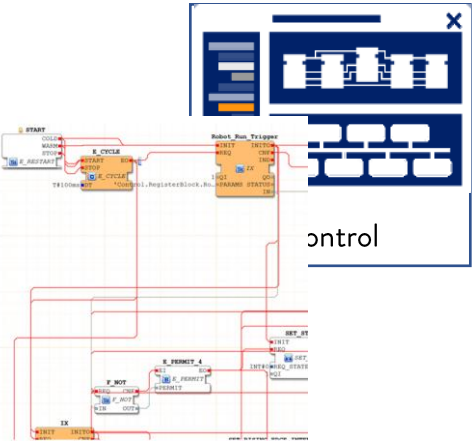
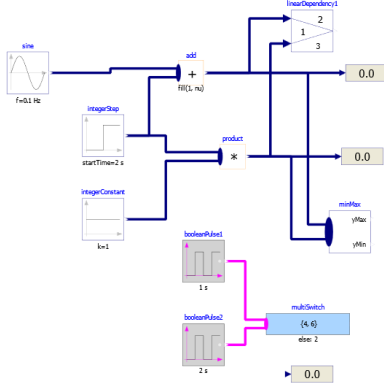


PyTorch

Tensor Flow

Xentara
Real-time
Edge platform

fmi
Simulation



OPC UA
EtherCAT
IO Sensor
Fieldbus

SIEMENS
CODESYS



Current marketplace for closed- and open source Skills



The background of the slide is a gradient from blue on the left to purple on the right, overlaid with a white geometric pattern of interconnected lines forming various polygons. The word "Xentara" is written in a large, white, sans-serif font, centered horizontally and slightly above the vertical center.

Xentara

Thank You

Table 1

Table 2

Table 3

Item	Value
1	100
2	200
3	300
4	400
5	500
6	600
7	700
8	800
9	900
10	1000

Table 4

Item	Value
1	100
2	200
3	300
4	400
5	500
6	600
7	700
8	800
9	900
10	1000

